



DENALI Plow Mount MA11759 Odes Dominator X & Raider

Thank you for purchasing our DENALI plow mount. You now own a premium custom plow mount to allow you to use your plow with your SxS. Please note the following instructions and heed all warnings.

- Your UTV/SxS and/or plow system can cause death or injury, please use caution and common sense when operating your unit.
- Read your Plow Operator Manual, your Winch Operator Manual, and all warning labels before operating your UTV/SxS.
- Operate your UTV/SxS at a walking speed with the blade installed. Do not exceed 5 mph (8 km/h), even with the blade up.
- Do not operate the UTV/SxS on slopes greater than 10 degrees with the plow installed.
- Always lower the plow to the down position before leaving your UTV/SxS unattended.

SEVERE INJURY OR DEATH MAY RESULT IF YOU ARE NEGLIGENT. .

**Odes Dominator X & Raider
MA11759**

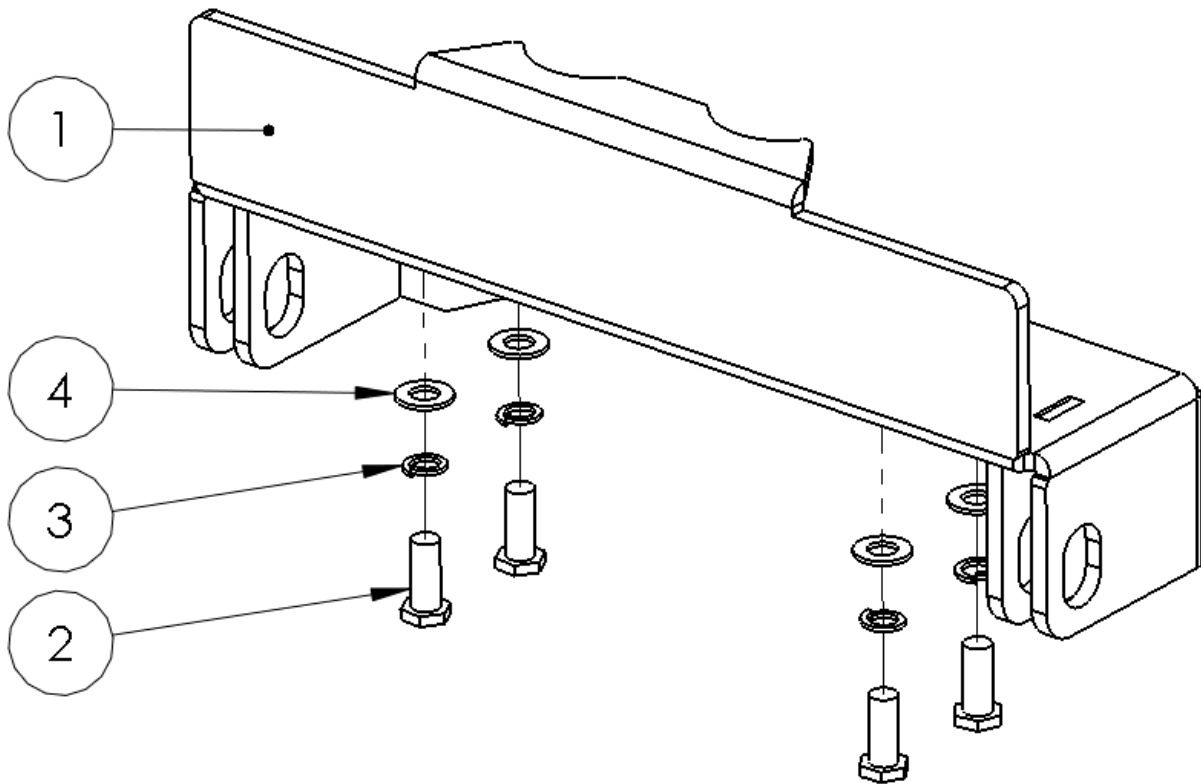


22000 Industrial Blvd
Rogers, MN 55374
866.527.7637

Please verify that all hardware and parts are included in your package.

Kit Contents:

Item Number	Quantity	Part Number
1	1	MA11759 Plow Mount
2	4	M10-1.25 x 25mm HH Bolt
3	4	M10 Lock Washer
4	4	M10 Flat Washer



Odes Dominator & Raider Installation Instructions

1. Position the MA11759 Plow Mount (part# 1) over the rectangular tube frame at the front of the Odes Dominator X or Odes Raider as shown in Figure 1.



Figure 1

2. From the bottom of the MA11759 Plow Mount insert the included M10-1.25x25mm Hex Bolts (part# 2), M10 Lock Washers (part# 3) and M10 Flat washers (part# 4) in the orientation shown in MA11759 Plow Mount Assembly View.
3. Tighten all hardware.

4. Attach the DENALI Plow system using the two quick release pins included in your plow kit as shown in Figure 2.

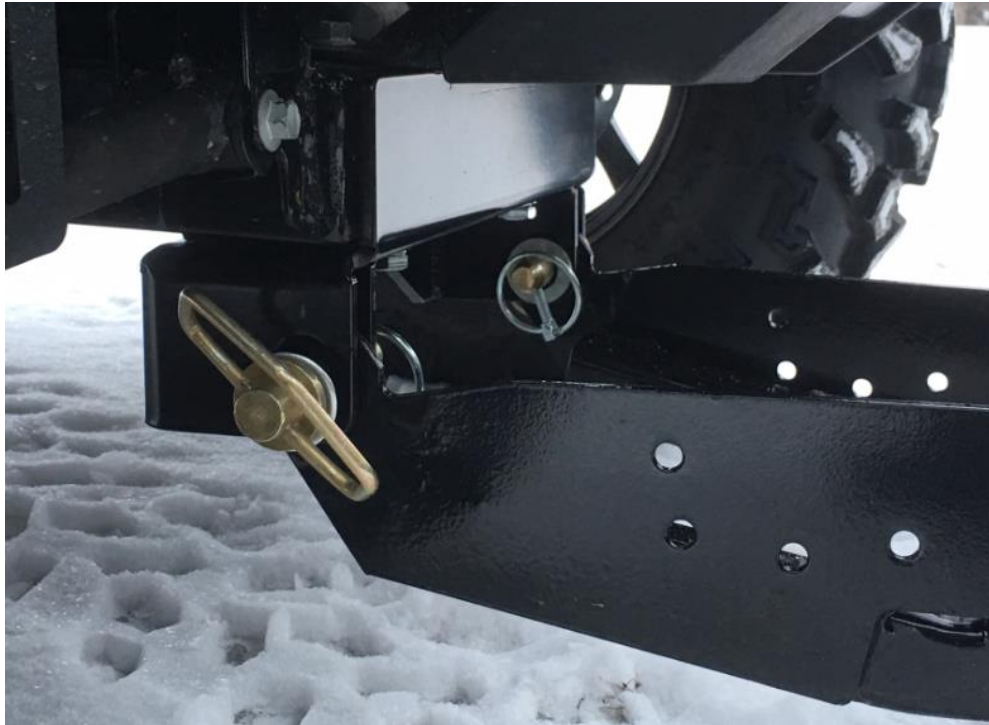


Figure 2

5. Following the first plow session, ensure that all hardware is tightened.